



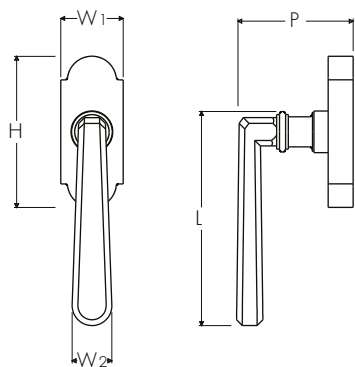
ATELIER BONOMI

Drehkipp per Finestra Serie Wien
Wien Series Drehkipp Window Handle

Dimensioni
Dimensions

L	P	W 2	W 1	H
110	61	21	33	80
117	69	23	33	80

Dimensioni in millimetri
Dimensions given in millimeters



Fornito con meccanismo DK q.7x45mm e viti M5x50.
Disponibile in tutte le finiture standard.

Dimensioni e finiture su misura disponibili su richiesta.
Regularly furnished with DK mechanism q.7x45mm and M5x50 screws.
Additional sizes available by special order. Available in standard and custom finishes.